

Paper Code: FSQN211P

Level 2

Highfield Functional Skills Qualification in Mathematics at Level 2

Information for centres and learners

- Learners taking this examination must also complete papercode FSQC211P. Only remove the examination paper from the sealed envelope when instructed to do so. Under no circumstances should you use an unsealed examination paper. Complete ALL questions. Use BLACK or BLUE ink. You are NOT allowed any assistance to complete the answers. You are NOT allowed to use a CALCULATOR. Marks are awarded for SHOWING your WORKING OUT. Use a PENCIL, ERASER, RULER and PROTRACTOR (as necessary) when drawing diagrams and charts. SIGN the declaration before leaving.

The duration of this examination is 40 MINUTES. The examination consists of 6 QUESTIONS and is worth 17 MARKS.

Complete the following

First Name (in full) [grid] Middle initial [grid]

Last Name [grid]

Date of Birth (8 digits) [grid] [grid] [grid]

Highfield Learner ID [grid]

Approved Centre Number (5 digits) [grid] Nominated Tutor Number (5 digits) [grid]

Examination Date (8 digits) [grid] [grid] [grid] [grid] Is this a resit examination? YES [grid] NO [grid]

Examination Start Time (24 hour clock) [grid] [grid] Examination Finish Time (24 hour clock) [grid] [grid]

Learner declaration

I confirm:
- I removed the examination paper from the sealed envelope.
- I received no help in answering the questions in this examination paper.
- I am the person stated above on this form.
- I will not discuss the content of the examination with anyone else.

Learner signature:

Non-calculator Test

1

Calculate the median.

10 36 48 36 92 45 50 21 15 19 36 24

Write your answer in the box below.

(2 marks)

Answer: _____

2

Calculate 6.4×8.5

Show your working out and write the answer in the box below.

(2 marks)

Answer: _____

Scenario A

You are a customer of Highfield Bank.

3

You pick up this leaflet when visiting the bank:

Highfield Bank



Premium
Savings Account

6% interest

Terms & conditions:

- Interest applied annually
- Minimum saving term 2 years

You put £900 into the Highfield Bank Premium Savings Account for 2 years.

Calculate the total amount of interest you will earn after 2 years (compound interest).

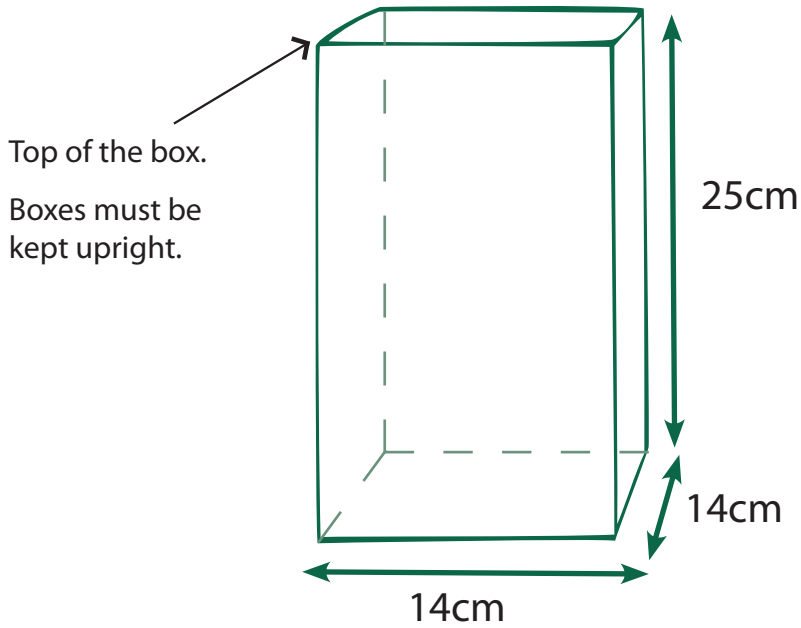
Show your working out and write the answer in the box below.

(3 marks)

Answer: £ _____

4

The bank is ordering more leaflets. Leaflets are packaged in boxes like this:



The boxes are to be stored in a cupboard. The base of the cupboard is 1.2m x 0.6m and it is 0.8m in height.

What is the maximum number of boxes that can be stored in the cupboard?

Show your working out and write the answer in the box below.

(4 marks)

Answer: _____

Scenario B

You work as a driver for Highfield Transport.

5

When Highfield Transport gets busy it offers overtime to a driver.

There are 5 drivers at Highfield Transport. The probability of there being overtime available in any given week is $\frac{1}{4}$.

The driver allocated overtime is chosen at random.

What is the probability of you being allocated overtime next week? Give your answer as a fraction AND a percentage.

Show your working out and write the answer in the box below.

(3 marks)

Answers: _____

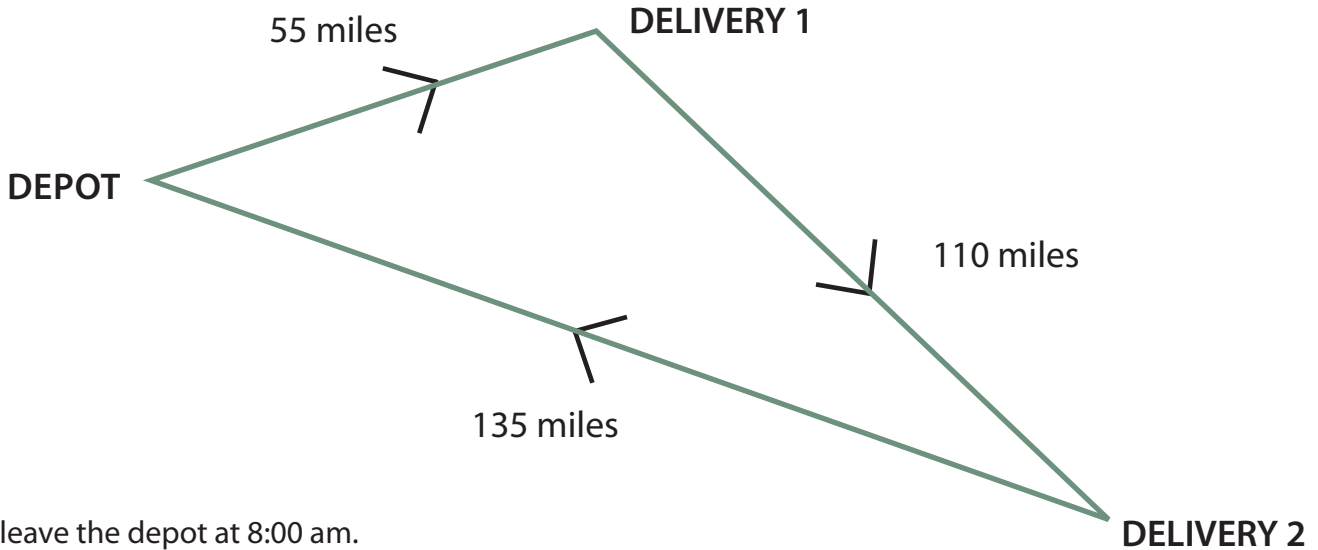
6

You are planning the delivery of furniture to 2 customers.

You expect that:

- you will drive at an average speed of 50mph
- unloading each delivery will take 30 minutes

This is the route you take:



You leave the depot at 8:00 am.

What time would you return to the depot if everything went to plan?

Show your working out and write the answer in the box below.

(3 marks)

Answer: _____

END OF ASSESSMENT

Page intentionally blank

For official use only:

	1	2	3	4	5	6	TOTAL
Mark(s) available	2	2	3	4	3	3	17
Marker							
Moderator							

Marker:	
Date:	

Moderator:	
Date:	



Level 2

Mathematics

Highfield Qualifications
Highfield House
Heavens Walk
Lakeside
Doncaster
South Yorkshire
DN4 5HZ
United Kingdom

Tel: +44 0845 2260350 Tel: +44 01302 363277
Fax: +44 0845 2260360 Fax: +44 01302 739144
info@highfield.co.uk www.highfieldqualifications.com

We listen and respond