

Please check the examination details below before entering your candidate information

Candidate surname

Other names

**Pearson Edexcel
Functional Skills**

Centre Number

Candidate Number

Practice Set 3

Time: 1 hour 30 minutes

Paper Reference **PRACL1/C03**

Mathematics

Level 1

Section B (Calculator)



You must have:

Pen, calculator, HB pencil, eraser, ruler graduated in cm and mm, protractor, pair of compasses. Tracing paper may be used.

Total Marks

My signature confirms that I will not discuss the content of the test with anyone.

Signature: _____

Instructions

- Use **black** ink or ball-point pen.
- **Fill in the boxes** at the top of this page with your name, centre number and candidate number.
- Sign the declaration.
- Answer **all** questions.
- Write your final answers in the boxes provided.
- Answer the questions in the spaces provided – *there may be more space than you need.*
- You **must** show clearly how you get your answers in the spaces provided. Marks will be awarded for your working out.
- Check your working and answers at each stage.
- Diagrams are **not** accurately drawn, unless otherwise indicated.
- **Calculators may be used.**
- If your calculator does not have a π button take the value of π to be 3.14

Information

- The total mark for this section is 42.
- The total mark for this paper is 56.
- The marks for **each** question are shown in brackets
– *use this as a guide as to how much time to spend on each question.*
- This sign shows where marks will be awarded for showing your checks.

Advice

- Read each question carefully before you start to answer it.
- Check your answers if you have time at the end.

Turn over ►

S68461A

©2021 Pearson Education Ltd.

1/1/1



S 6 8 4 6 1 A 0 1 1 6



Pearson

SECTION B

Answer ALL questions. Write your answers in the spaces provided.

1 Here are five numbers.

10754 9241 4249 7012 13958

(a) Calculate the range of these numbers.

(2)



(b) Use estimation to show a check of your answer.

(1)

(Total for Question 1 is 3 marks)

DO NOT WRITE IN THIS AREA

DO NOT WRITE IN THIS AREA

DO NOT WRITE IN THIS AREA

DO NOT WRITE IN THIS AREA

DO NOT WRITE IN THIS AREA

DO NOT WRITE IN THIS AREA



2 Emily is making sausage rolls for a party.

She has this list of ingredients.

ingredients for 4 sausage rolls

450 g	sausage meat
1	egg
1	red onion
250 g	ready-made pastry

Emily wants to make 75 sausage rolls for the party.

ready-made pastry comes in packs.
There are 500 g of pastry in each pack.

Emily thinks 9 packs of ready-made pastry is the smallest number she needs to make 75 sausage rolls.

Is Emily correct?
Show why you think this.

(4)

(Total for Question 2 is 4 marks)



3 Gareth is changing his gas supplier to GES Energy.

He has this information.

GES Energy
annual fee £231.65
plus
4.71 pence for each kWh used
get 5% off the total charge if you pay by direct debit

Last year Gareth used 42 000 kWh of gas.

Gareth thinks he will use the same amount of gas this year.
He will pay by direct debit.

Work out the total gas bill Gareth will pay using GES Energy.

(5)

DO NOT WRITE IN THIS AREA

DO NOT WRITE IN THIS AREA

DO NOT WRITE IN THIS AREA

DO NOT WRITE IN THIS AREA

DO NOT WRITE IN THIS AREA

DO NOT WRITE IN THIS AREA



DO NOT WRITE IN THIS AREA

DO NOT WRITE IN THIS AREA

DO NOT WRITE IN THIS AREA

DO NOT WRITE IN THIS AREA

DO NOT WRITE IN THIS AREA

DO NOT WRITE IN THIS AREA

£

(Total for Question 3 is 5 marks)



S 6 8 4 6 1 A 0 5 1 6

4 Sam wants to create a space for water play in the village hall.

He has this diagram of the floor in the village hall.

The space for water play must be

- in the shape of a rectangle 3.5 m by 4 m
- at least 2 m away from other activity spaces
- at least 3 m away from any door.

Draw a space for water play on the grid below.

(3)

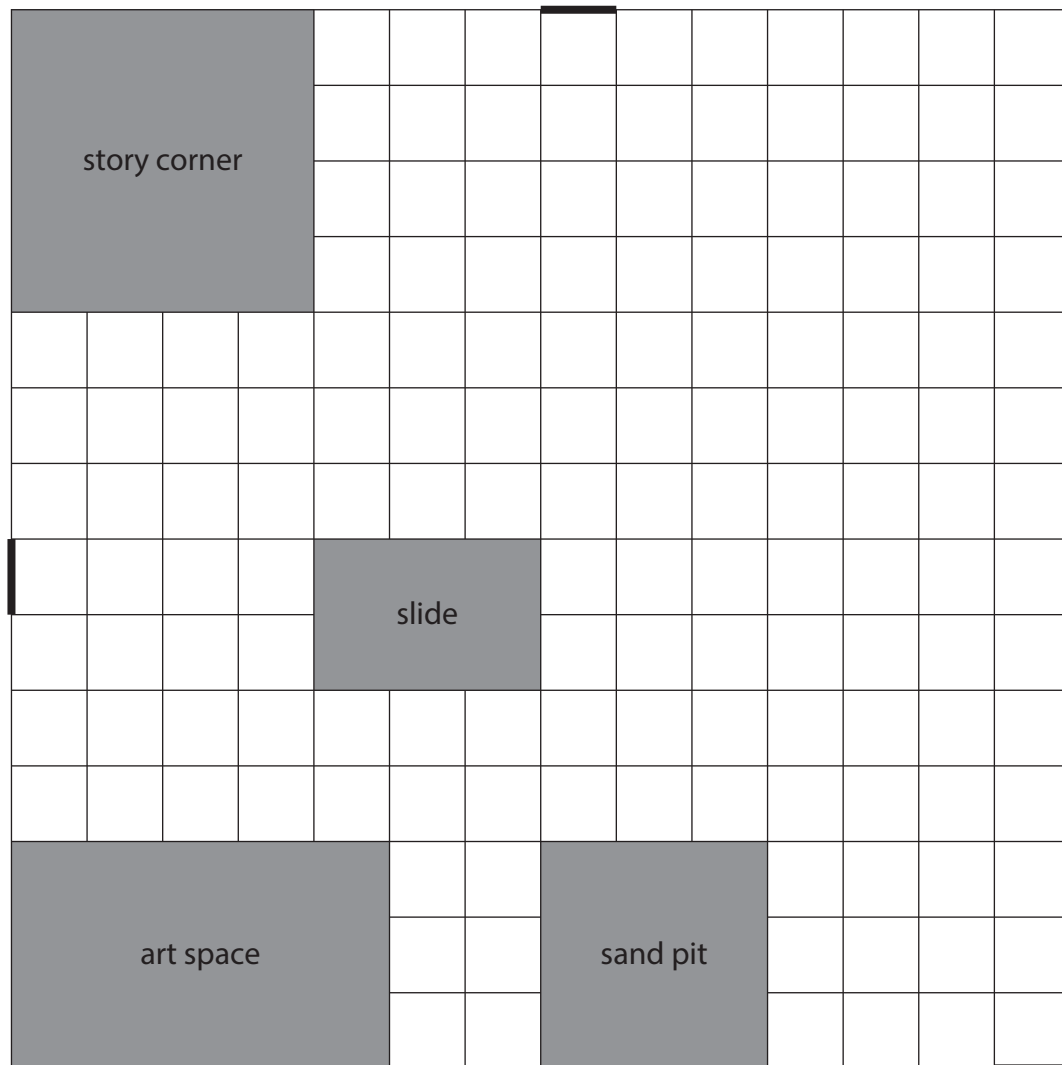
Key 1 square length on the grid represents 1 m on the village hall floor



activity space



door



(Total for Question 4 is 3 marks)

DO NOT WRITE IN THIS AREA

DO NOT WRITE IN THIS AREA

DO NOT WRITE IN THIS AREA

DO NOT WRITE IN THIS AREA

DO NOT WRITE IN THIS AREA

DO NOT WRITE IN THIS AREA



5 Here is information about the distances travelled in miles by some people yesterday.

distance (miles)			
5	4	12	8
1	2	8	7
18	7	9	11
11	22	7	6
2	3	3	1

Sandro starts to show this information in a grouped frequency table.

Complete the grouped frequency table.
Use five equal groups.

(3)

distance (miles)	tally	frequency
1 to 5		8
6 to 10		

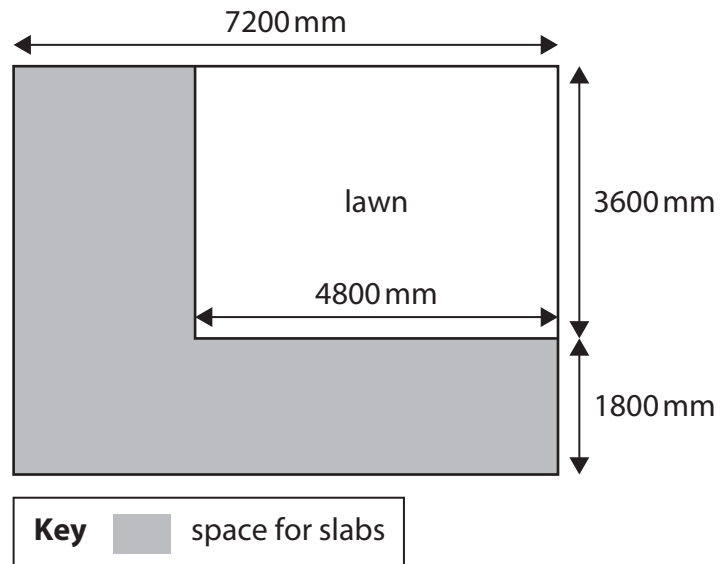
(Total for Question 5 is 3 marks)



6 Maninder wants to put slabs in part of her garden.

She has this sketch.

All corners are right angles.



Each slab is in the shape of a square with sides of length 600 mm.

Maninder thinks she needs 65 slabs for this part of the garden.

Are 65 slabs enough for this part of the garden?
Show why you think this.

(6)

DO NOT WRITE IN THIS AREA

DO NOT WRITE IN THIS AREA

DO NOT WRITE IN THIS AREA

DO NOT WRITE IN THIS AREA

DO NOT WRITE IN THIS AREA

DO NOT WRITE IN THIS AREA



DO NOT WRITE IN THIS AREA

DO NOT WRITE IN THIS AREA

DO NOT WRITE IN THIS AREA

DO NOT WRITE IN THIS AREA

DO NOT WRITE IN THIS AREA

DO NOT WRITE IN THIS AREA

[Large empty rectangular area for writing]

[Small empty rectangular box]

(Total for Question 6 is 6 marks)



7 Graham is the manager of a fast food restaurant.

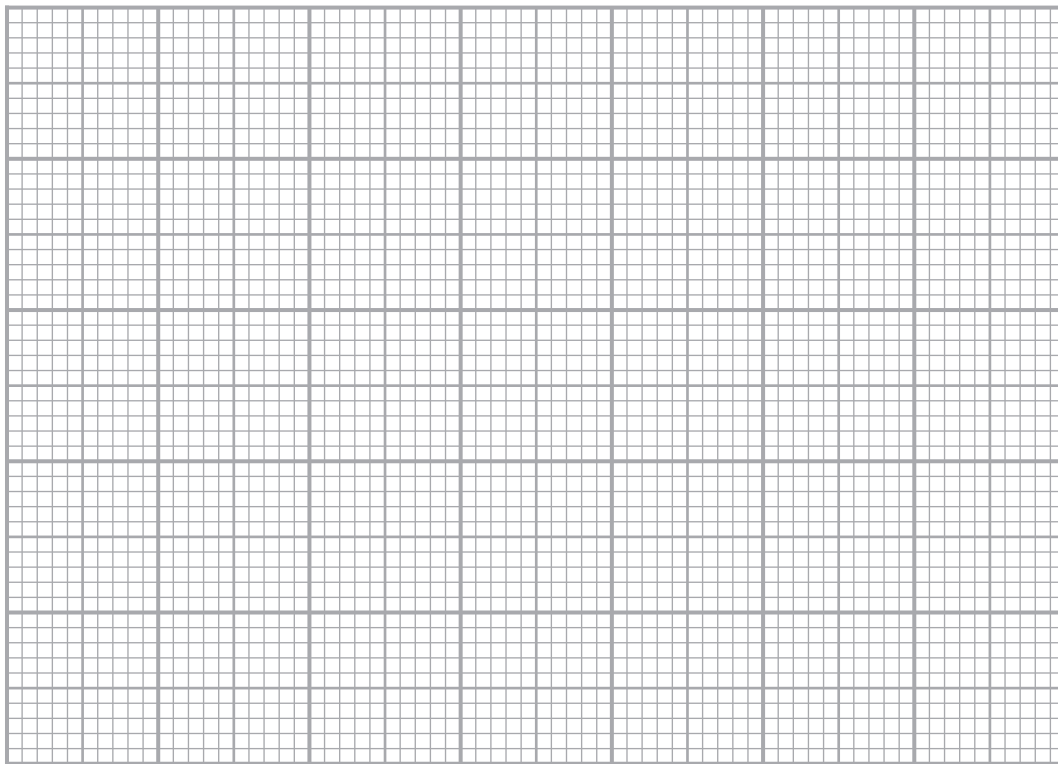
The table shows the amount of money lost due to food waste for five days.

	Mon	Tue	Wed	Thu	Fri
amount of money (£)	190	250	210	345	400

Graham wants to draw a graph to show the amount of money lost due to food waste.

Draw a suitable graph for Graham.

(3)



(Total for Question 7 is 3 marks)

DO NOT WRITE IN THIS AREA

DO NOT WRITE IN THIS AREA

DO NOT WRITE IN THIS AREA

DO NOT WRITE IN THIS AREA

DO NOT WRITE IN THIS AREA

DO NOT WRITE IN THIS AREA



8

(a) Write $1\frac{3}{4}$ as a percentage.

(1)

 %

(b) Write $1\frac{2}{3}$ as a decimal.
Give your answer correct to two decimal places.

(2)

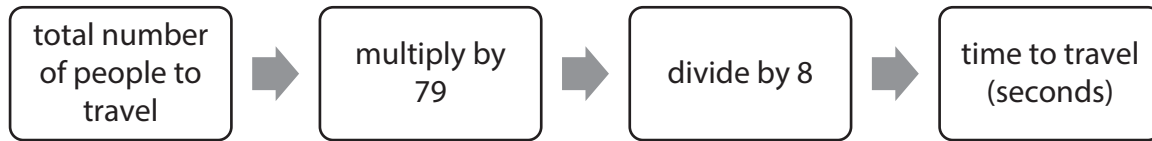
(Total for Question 8 is 3 marks)



9 Natasha is designing a building with a restaurant on the top floor.

She needs to know how long it will take for a total of 40 people to travel in the lift from the ground floor to the restaurant.

Natasha uses this formula.



Natasha thinks it will take more than 6 minutes for a total of 40 people to travel in the lift from the ground floor to the restaurant.

Is Natasha correct?
Show why you think this.

(4)

(Total for Question 9 is 4 marks)

DO NOT WRITE IN THIS AREA

DO NOT WRITE IN THIS AREA

DO NOT WRITE IN THIS AREA

DO NOT WRITE IN THIS AREA

DO NOT WRITE IN THIS AREA

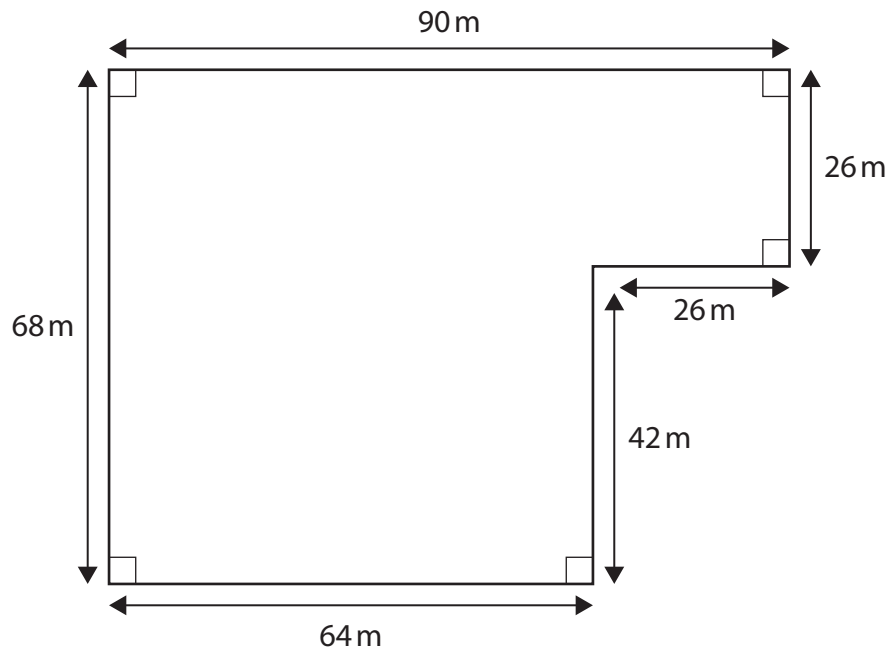
DO NOT WRITE IN THIS AREA



10 George is a farmer.

He is going to put water piping along all the edges of a field.

George draws this sketch of the field



Water piping costs £0.59 per metre.

Calculate the total cost of the water piping George needs for this field.

(3)

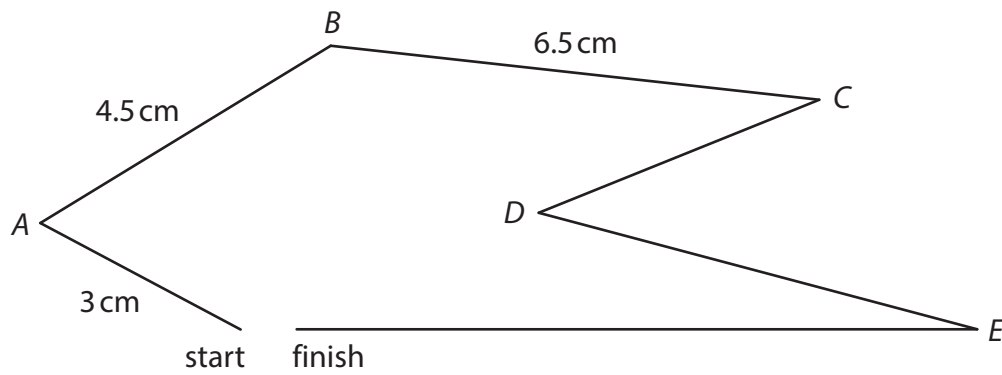
£

(Total for Question 10 is 3 marks)



11 John is organising a charity sailing race on the sea.

He starts to draw this accurate scale map of the course.



Key 1 cm on the map is $\frac{1}{2}$ km on the sea

Sailors begin the race at the start and follow the course to the finish.

John says

“The course has a total distance of more than 18 km.”

- (a) Is John correct?
You **must** show your working.

(4)

DO NOT WRITE IN THIS AREA

DO NOT WRITE IN THIS AREA

DO NOT WRITE IN THIS AREA

DO NOT WRITE IN THIS AREA

DO NOT WRITE IN THIS AREA

DO NOT WRITE IN THIS AREA



John writes a large cheque to be used for publicity.

John says

we have raised ninety seven thousand four hundred and three pounds for charity.

(b) Write this number on the cheque for John.

(1)

Cheque

DATE: _____

PAY: _____

ACCOUNT PAYEE ONLY

£ _____

FOR AND ON BEHALF OF _____

000124 27 85 86 85149663

(Total for Question 11 is 5 marks)

TOTAL FOR SECTION B IS 42 MARKS
TOTAL FOR PAPER IS 56 MARKS



DO NOT WRITE IN THIS AREA

DO NOT WRITE IN THIS AREA

DO NOT WRITE IN THIS AREA

BLANK PAGE

